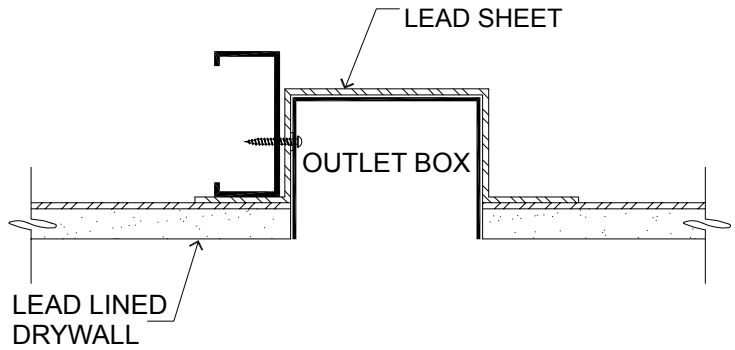
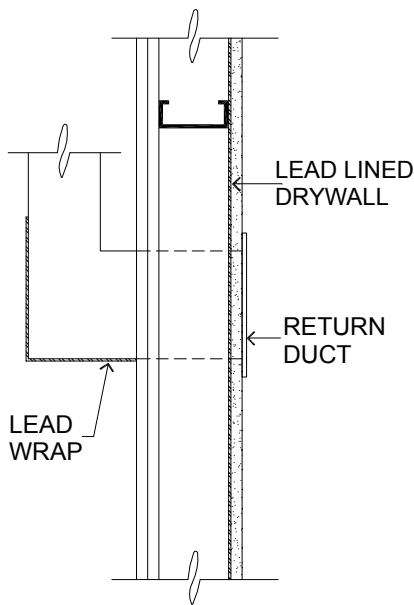


## WALL PENETRATIONS

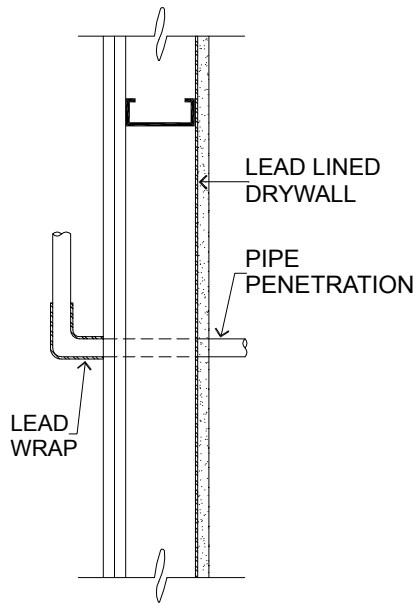
Wherever lead protection is penetrated, cut, or punctured, assure continuity of shielding by use of sheet lead (same thickness as lead on drywall). Allow sufficient overlap to ensure continuous radiation protection. East Coast Radiation Protection can supply additional lead sheet to ensure proper protection of all penetrations.



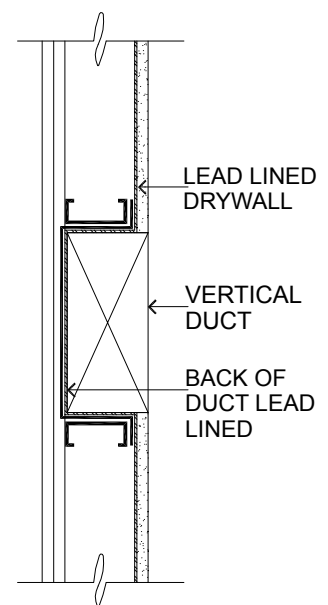
LEAD FOR OUTLET BOXES AND SWITCH BOXES



THRU DUCT WRAP

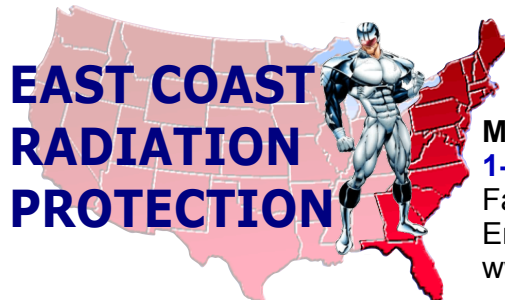


TYP PIPE WRAP



WALL DUCT

Here to protect against radiation



**Mike Salemi**  
**1-877-LEAD488** (1-877-532-3488)  
 Fax: 1-781-305-3479  
 Email: [mike@eastcoastradiation.com](mailto:mike@eastcoastradiation.com)  
[www.eastcoastradiation.com](http://www.eastcoastradiation.com)